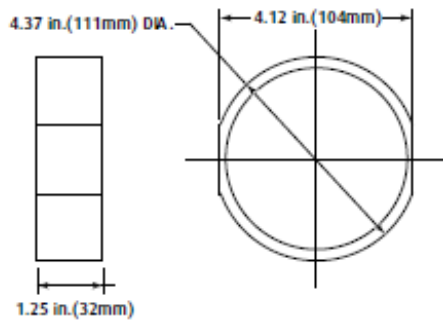
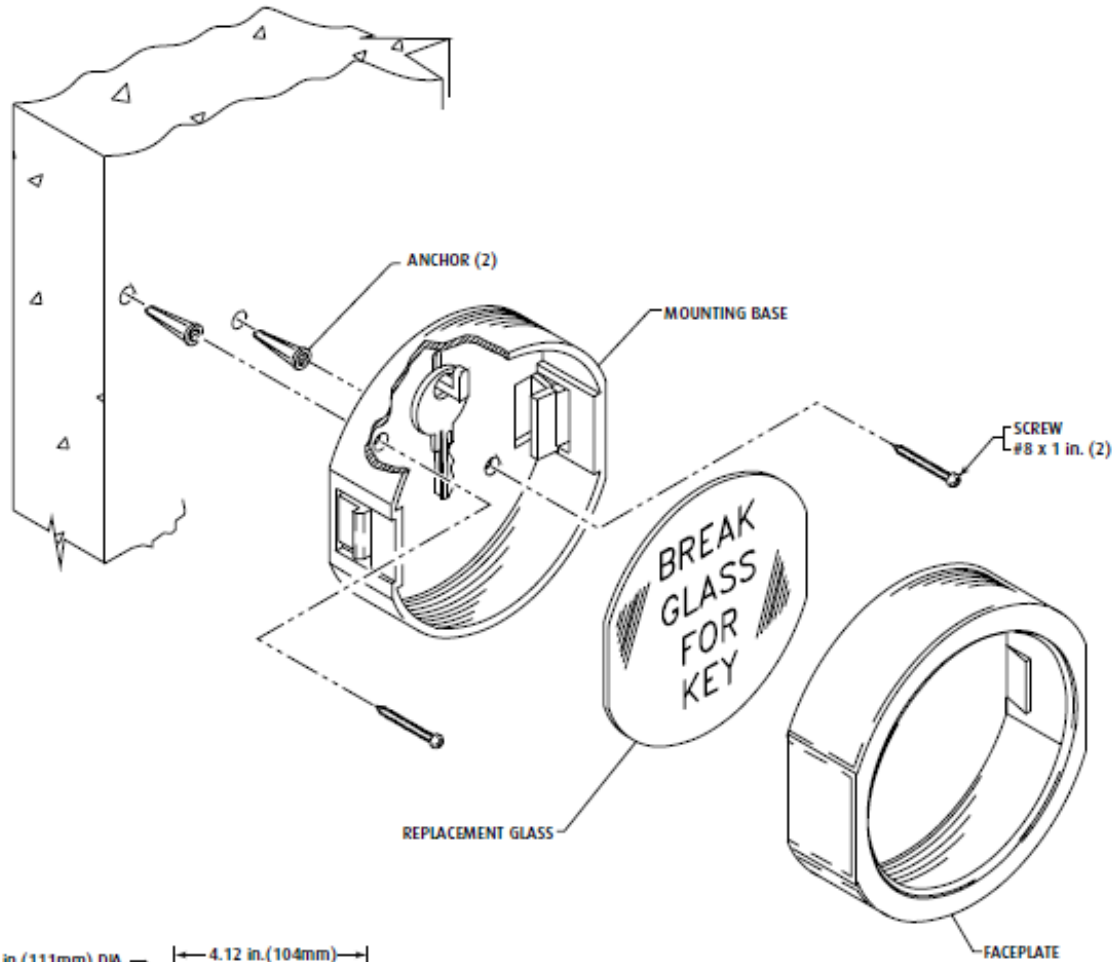


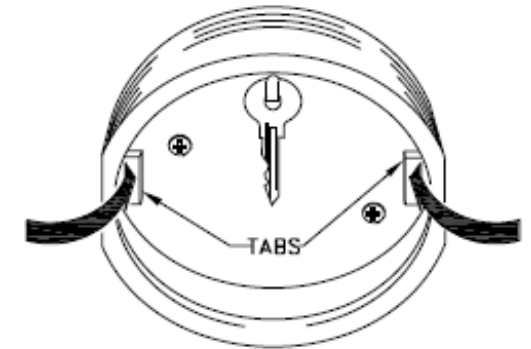
114-1083 Keybox, Plastic Fronted (KB2) – Installation instructions



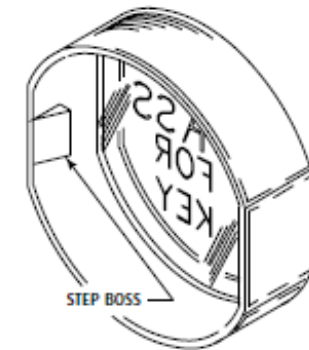
PRODUCT DIMENSIONS

INSTALLATION INSTRUCTIONS

1. Position unit on any suitable mounting surface with key hook facing upward. Mark the (2) mounting holes.
2. Drill (2) 3/16 in. diameter holes 1 in. (25mm) deep.
3. Place anchors in holes and install screws.
4. Place key on hook.
5. Snap faceplate onto mounting base, it can not be opened without breaking the glass.



VIEW 1



VIEW 2

GLASS REPLACEMENT INSTRUCTIONS

1. After breakage occurs carefully remove any remaining glass. Reach thru faceplate opening and depress glass retention tabs and remove face plate (view 1).
2. Insert replacement glass in face plate making sure glass is between front of housing and step boss (view 2).
2. Replace protected key and then snap faceplate onto mounting base.